

Features

- Purpose-designed for law enforcement, hunting and tactical applications.
- The world's first line of flashlights to feature third generation SSR (smart selector ring) technology
- Smoothly and rapidly select brightness levels and function by rotating a smart selector ring
- Utilizes the latest CREE XM-L (XM-L2 T6) LED for a maximum output of up to 930 lumens
- Second generation of 'Crystal Coating Technology' along with 'Precision Digital Optics Technology' provide extreme reflector performance
- Boasts a peak beam intensity of 17,000cd and a throw distance of up to 260 meters (ANSI FL1)
- High efficiency circuit board provides up to 200 hours runtime on lowest output level
- Infinite brightness adjustment from 0 to 930 lumens
- Two rapidly switchable functions to select from
- Multi-functional power indicator light displays low battery status
- Patented spring-loaded impact absorption mechanism with reverse polarity protection
- Stainless steel titanium-plated two-way clip
- Stainless steel retaining ring protects core components from damage
- Toughened ultra-clear mineral glass with anti-reflective coating
- Constructed from aero grade aluminum alloy
- Robust HAIII military grade hard-anodized
- Waterproof in accordance with IPX-8 (two meters submersible)
- Impact resistant to 1.5 meters
- Tail stand capability

Dimensions

Length: 153mm (6")
 Head diameter: 34 mm (1.34")
 Tube diameter: 25.4mm (1")
 Weight: 145g (5.11oz)(without battery)

Accessories

Quality holster, removable clip, tactical ring, lanyard, spare tail cap button and spare O-ring

Battery Options

	SIZE	Nominal voltage	Compatible
Primary Lithium battery	CR123	3V	Y (Recommended)
18650 Rechargeable Li-ion battery	18650	3.7V	Y (Recommended)
Rechargeable Li-ion battery	RCR123	3.7V	Y

Output & Runtime

FL1 STANDARD	TURBO	LOWER
	930* LUMENS	0.1* LUMENS
	1h45min 1x 18650	200h
	1h15min 2x CR123	120h
	260m (Beam Distance)	
	17000cd (Peak Beam Intensity)	
	1.5m (Impact Resistant)	
	IPX-8, 2m (Waterproof AND Submersible)	

NOTICE

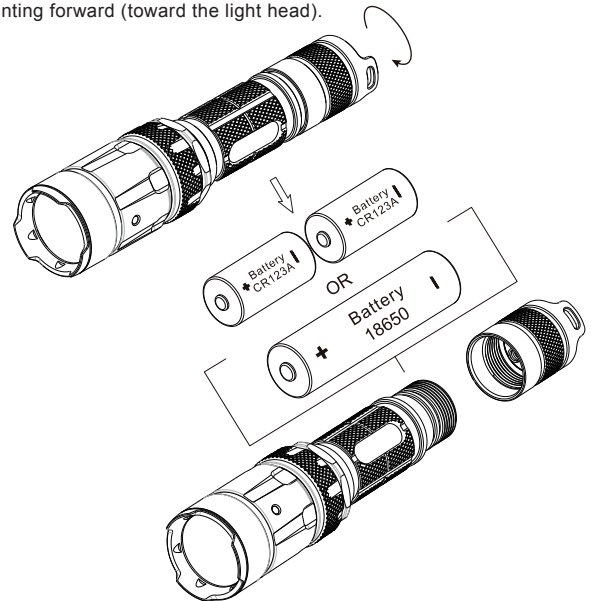
The above data has been measured in accordance with the international flashlight testing standards ANSI/NEMA FL1 using one x 3.7V 2600mAh Nitecore 18650 battery and 2 x 3V 1550mAh Nitecore CR123 batteries under laboratory conditions. The data may vary slightly during real-world use due to battery type, individual usage habits and environmental factors.

*Infinite brightness adjustment varies from 0.1 to 930 lumens and is manually adjusted by rotation of the Smart Selector Ring. Subsequently, runtimes will vary anywhere from 105 minutes to 200 hours depending on chosen level of output.

NITECORE (SYSMAX) is a member of PLATO, participating in and helping to develop the ANSI/NEMA FL1 standard of measurement. Product testing data is in accordance with these internationally recognized scientific standards.

Battery Installation

Insert one 18650 battery or two CR123 batteries with the positive pole pointing forward (toward the light head).



NOTE:

1. Ensure batteries are inserted with the positive (+) end pointing to the head. The SRT6 will not operate with incorrectly inserted batteries.
2. Please do NOT light directly to the eyes, which will hurt the eyes.

Switching ON/OFF

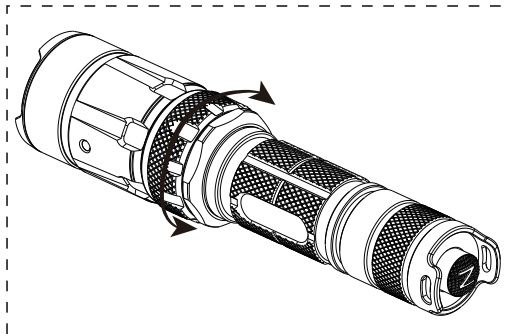
To switch ON: Press the button on the tailcap until a "click" is heard.
 To switch OFF: Press the button on the tailcap a second time until a "click" is heard.

Momentary Illumination

Momentary illumination can be achieved by switching the flashlight off and then half pressing and holding the tail switch. Release switch to turn the light off.

Adjusting Output

With the light turned on, slowly rotate the Smart Selector Ring (adjacent to the bezel) in a counter-clockwise direction to cycle through the following brightness levels: SOS -> standby mode -> infinite brightness modes -> turbo mode -> strobe mode. These modes may be cycled through in reverse by rotating the Smart Selector Ring in a clockwise direction.



NITECORE®

ALL-ROUND Flashlight Expert

Note: When using the SRT6 in infinite brightness mode, runtime will increase when lower levels of output are selected. On its lowest setting, the SRT6 will run continuously for up to 200 hours and on its highest setting continuously for up to one hour and 45 minutes.

NB:

1. For user safety and to prevent overheating / failure, the SRT6 will automatically switch to high mode after twenty minutes of use in Turbo mode. Slowly rotate the Smart Selector Ring or press the tail switch again to reactivate turbo mode when needed.
2. When the SRT6 is switched on standby mode, it will consume small amounts of power to maintain the settings in the MCU (micro control unit) but appear to be turned off. The power indicator on the light head will blink once every two seconds to indicate the SRT6 is in standby mode and to act as a locator.

Power Tips

1. With the light switched on, the power indicator will blink once every two seconds when power levels reach 50%.
2. With the light switched on, the power indicator will blink rapidly when power levels are low.

Changing Batteries

When the power indicator blinks rapidly it means the batteries need to be replaced. Alternatively if the light becomes dim or unresponsive to adjustment this also indicates batteries need to be replaced.

Maintenance

Every 6 months, threads should be wiped with a clean cloth followed by a thin coating of silicon-based lubricant.

Warranty Service

All NITECORE® products are warranted for quality. DOA / defective products can be exchanged for replacement through a local distributor/dealer within the 14 days of purchase. After 14 days, all defective / malfunctioning NITECORE® products will be repaired free of charge for a period of 18 months from the date of purchase. After 18 months, a limited warranty applies, covering the cost of labor and maintenance, but not the cost of accessories or replacement parts. The warranty is nullified in all of the following situations:

1. The product(s) is/are broken down, reconstructed and/or modified by unauthorized parties.
2. The product(s) is/are damaged through improper use.
3. The product(s) is/are damaged by leakage of batteries.

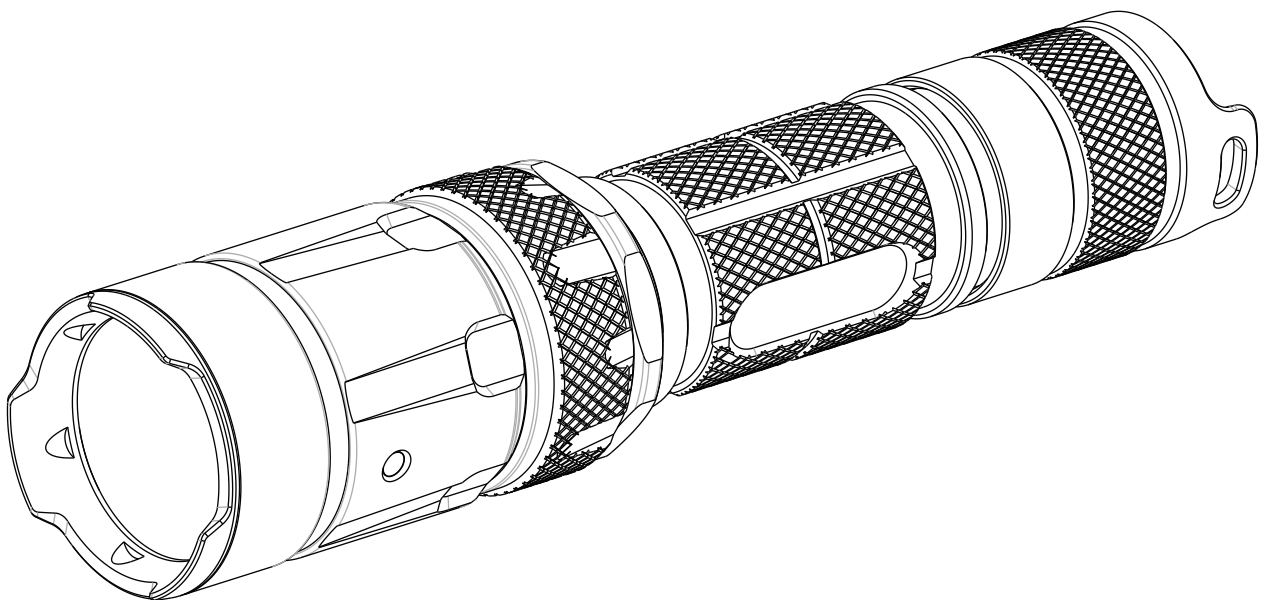
To guarantee a swift and effective customer service, Nitecore suggest you to contact the point of purchase for assistance.

For the latest information on NITECORE® products and services, please contact your national NITECORE® distributor or send an email to service@nitecore.com

The Nitecore official website shall prevail in case of any product data changes.



Please follow our facebook for more info: NITECORE Flashlights



SYSMAX ind.

SYSMAX Industry Co., Ltd.

TEL: +86-20-83862000

FAX: +86-20-83882723

E-mail: info@nitecore.com

Web: www.nitecore.com

Address: Rm1407-08, Glorious Tower, 850 East Dongfeng Road, Guangzhou, China 510600

20130522



Thanks for purchasing NITECORE!